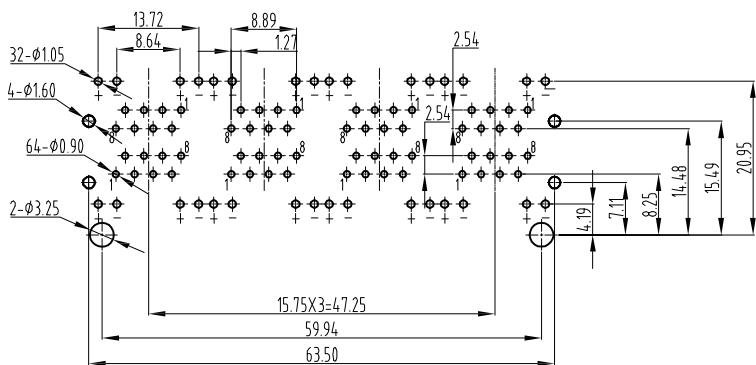
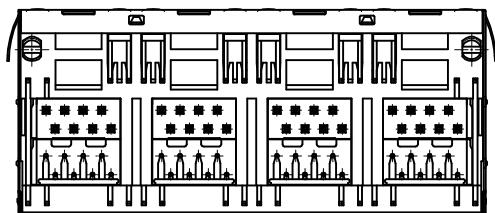
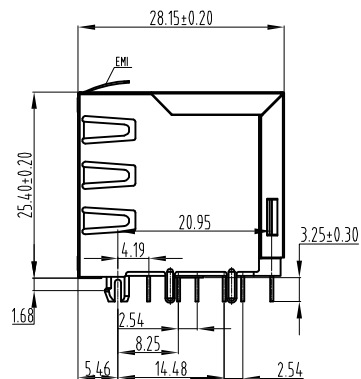
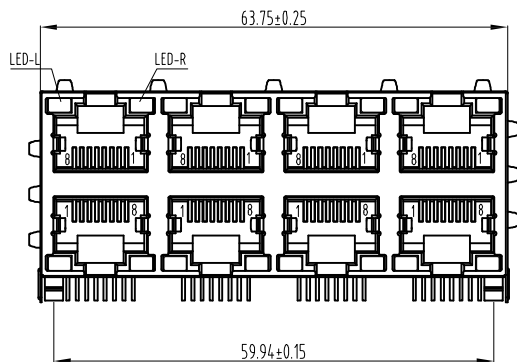




REVISIONS				
LTR	DESCRIPTION	DATE	DWN	APVD
A	RELEASED	01Jan16	AW	WK



PCB LAYOUT/TOP VIEW

NOTES:

MATERIAL:

- | | |
|-------------------------------------|--|
| 1.HOUSING | :GLASS FILLED POLYESTER UL94V-0 |
| 2.CONTACT (ROUND PIN Φ 0.46mm) | :PHOSPHOR BRONZE WITH GOLD PLATING OVER NICKEL. |
| 3.SHIELD | :0.20mm THICKNESS COPPER ALLOY WITH NICKEL PLATED. |
| 4.LED | :OPTION |

ELECTRICAL:

- | | |
|-----------------------------------|-----------------------------------|
| 1.VOLTAGE RATING | :125V AC. |
| 2.CURRENT RATING | :1.5AMP. |
| 3.CONTACT RESISTANCE | :30 MILLIOHMS MAX. |
| 4.INSULATION RESISTANCE | :500 MEGOHMS MIN @ 500V DC. |
| 5.DIELECTRIC WITHSTANDING VOLTAGE | :1000V AC RMS 50Hz OR 60Hz. 1MIN. |

MECHANICAL:

- | | |
|----------------------|------------------------------|
| 1.INSETION FORCE | :2.2Kg MAX. |
| 2.RETENTION STRENGTH | :7.7Kg BETWEEN JACK AND PLUG |
| 3.DURABILITY | :750 CYCLES MINI. |

ENVIRONMENTAL:

- | | |
|-------------|------------------|
| 1.STORAGE | : -40°C ~ +85°C. |
| 2.OPERATION | : -40°C TO 85°C. |

YL005-005-XXX
PART NUMBER

THIS DRAWING IS A CONTROLLED DOCUMENT.		DWN A. WU	01Jan2016	东莞市宇亮电子有限公司 DONG GUAN YU LIANG ELECTRONICS CO.,LTD	
DIMENSIONS: mm		CHEK S. CHIEN	01Jan2016		
TOLERANCES UNLESS OTHERWISE SPECIFIED:		APVD Abel	01Jan2016	NAME RJ45 2*4 PORTS, 90度H=25.40MM,带 LED灯.	
0 PLC ± 0.50 1 PLC ± 0.30 2 PLC ± 0.20 3 PLC ± 0.15 4 PLC ± - ANGLES ± 3°		PRODUCT SPEC		SIZE A4	DRAWING No. Y=YL005-005
THIRD ANGLE PROJECTION		WEIGHT		CUSTOMER DRAWING	
				SCALE 1 : 1	SHEET 1 of 1